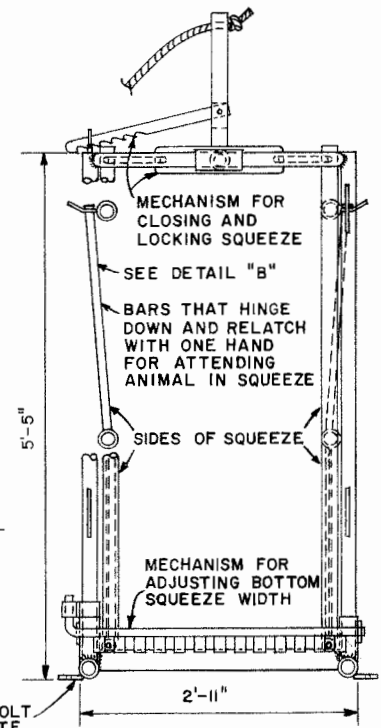
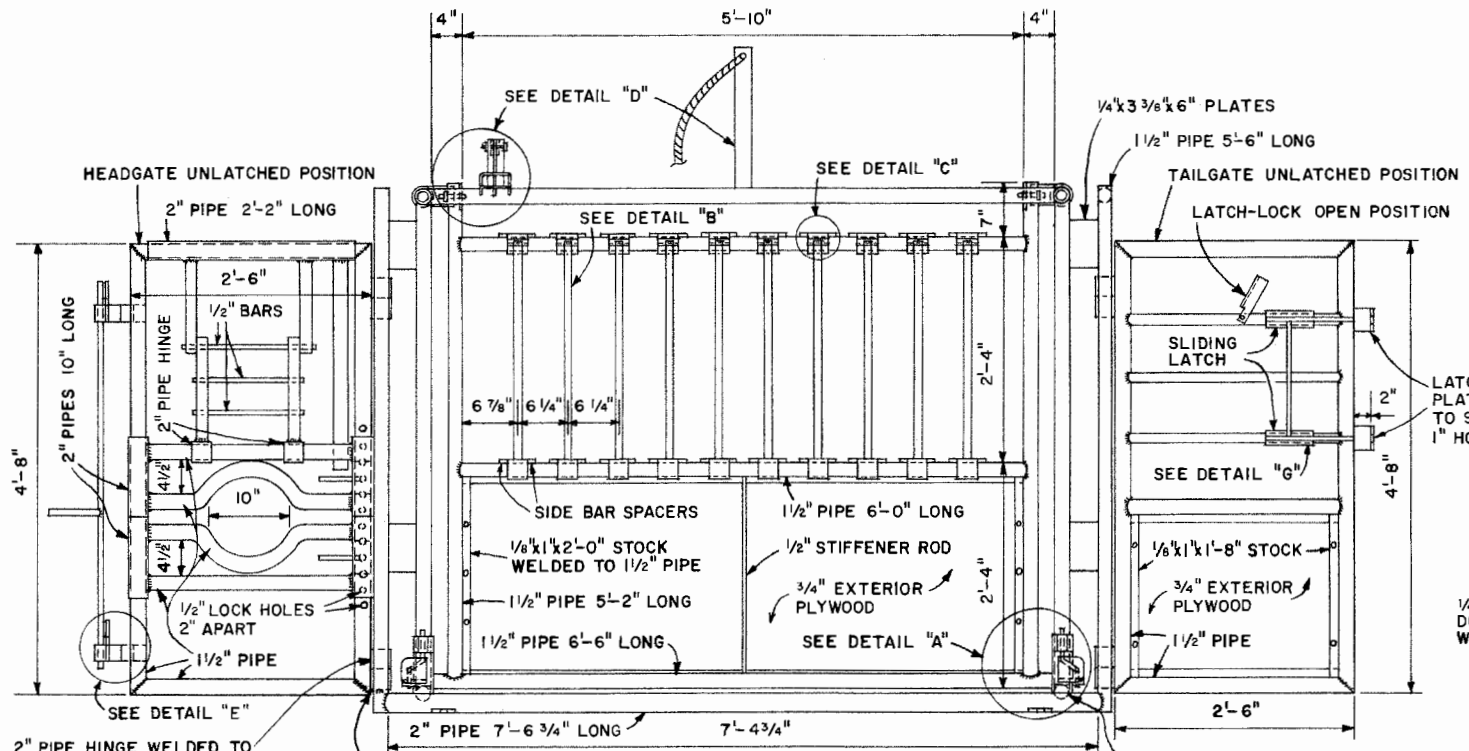


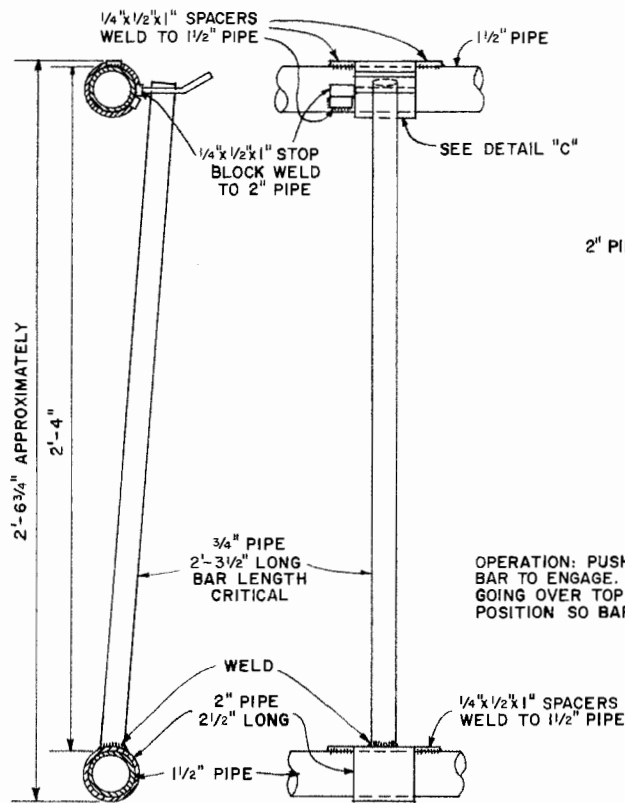
DETAIL "G"
TAILGATE LATCH
SCALE: 3"=1'-0"



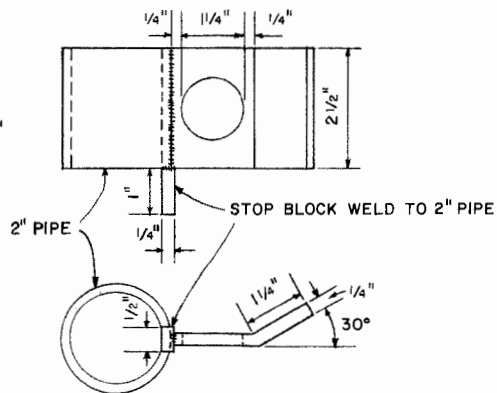
SECTION "A-A"
SCALE: 1"=1'-0" EXCEPT AS OTHERWISE NOTED

LSU
AgCenter
Research & Extension

SQUEEZE CHUTE FOR CATTLE
VARIABLE WIDTH-TRAILER MOUNTED

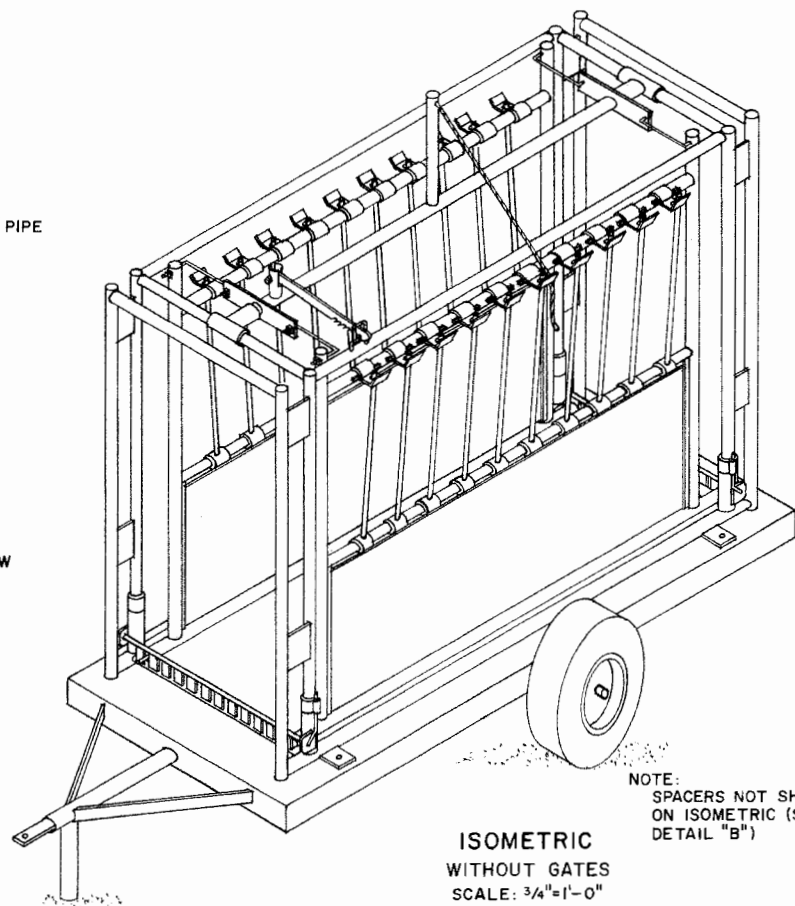


DETAIL "B"

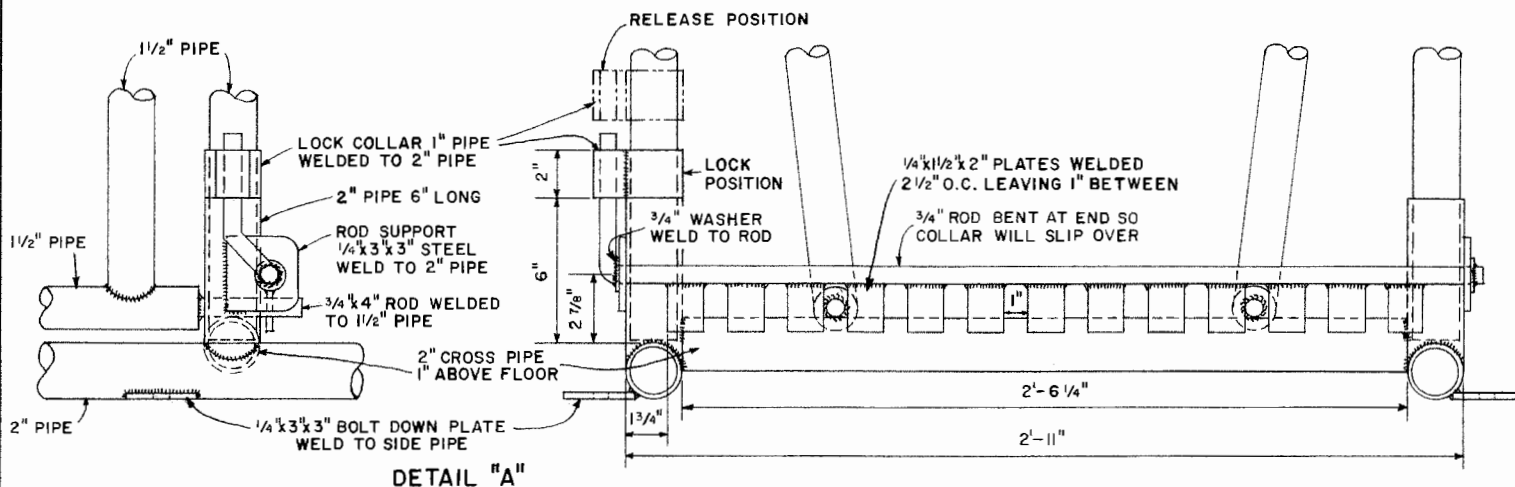


DETAIL "C"
SCALE: HALF SIZE

OPERATION: PUSH BAR AGAINST CLIP WHICH RAISES TO ALLOW BAR TO ENGAGE. STOPS AND SPACERS PREVENT CLIP FROM GOING OVER TOP OR FROM DROPPING BELOW HORIZONTAL POSITION SO BAR WILL ENGAGE CLIP.



ISOMETRIC
WITHOUT GATES
SCALE: 3/4"=1'-0"



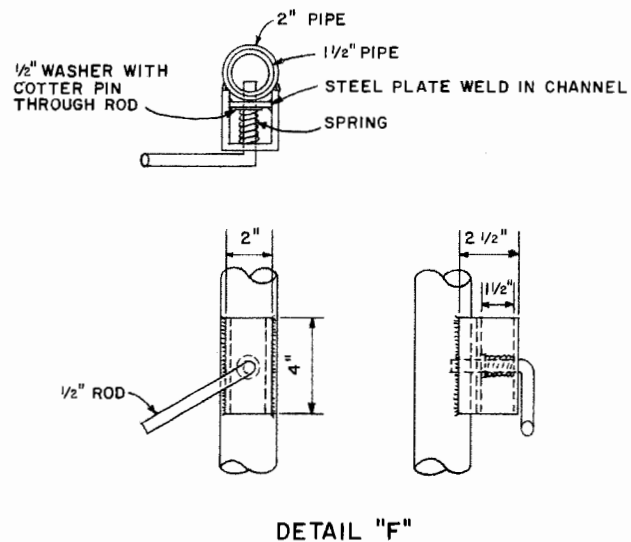
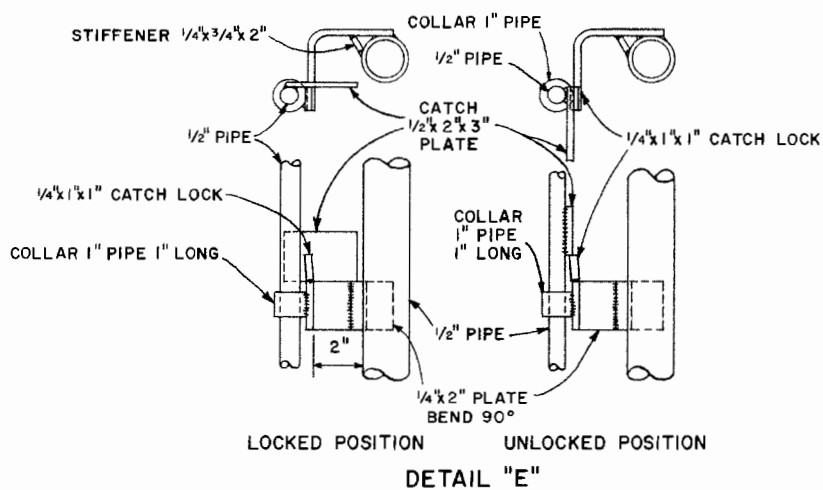
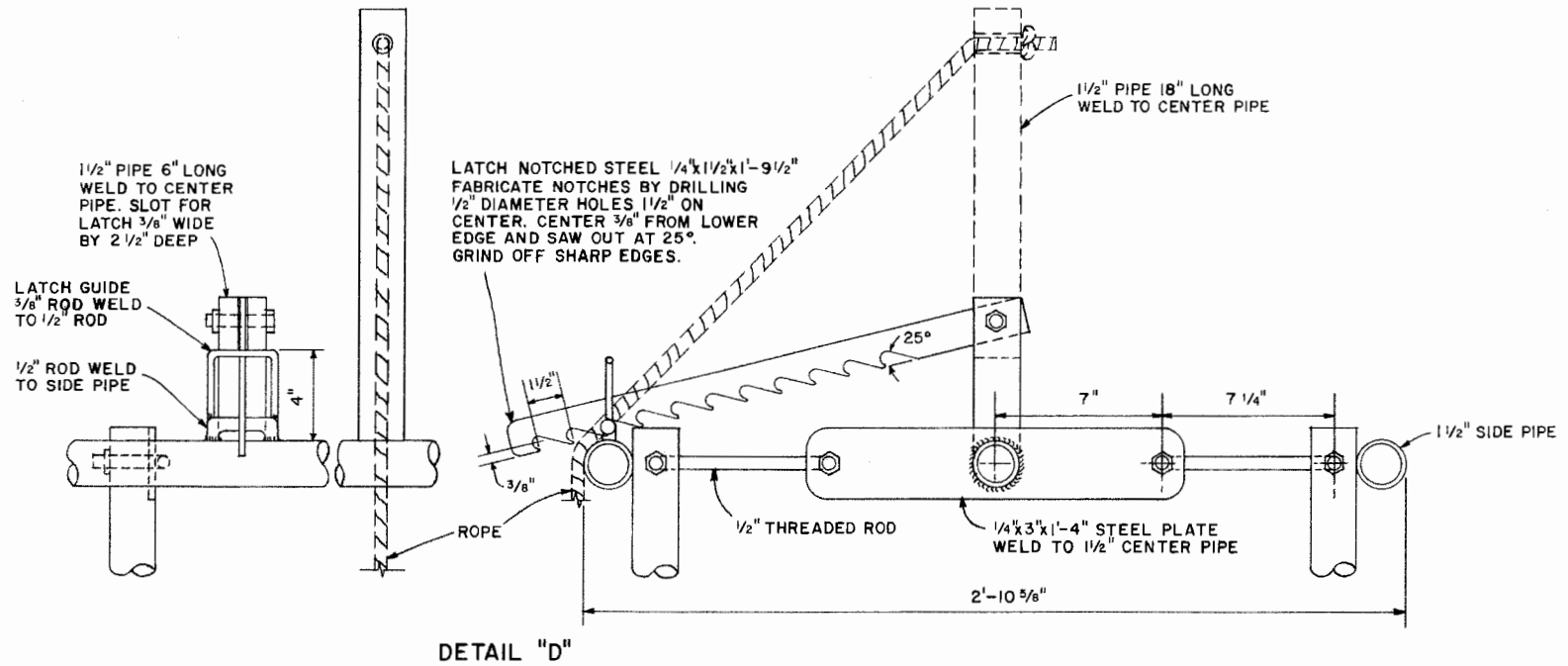
DETAIL "A"

NOTE: CHUTE CAN BE MOUNTED ON STANDARD TRAILER OR ON SCALE TRAILER. TRAILER WITH RETRACTABLE WHEELS WILL PERMIT CHUTE TO BE LOWERED TO GROUND LEVEL.

SCALE: 3"=1'-0" EXCEPT AS OTHERWISE NOTED.



SQUEEZE CHUTE FOR CATTLE
VARIABLE WIDTH-TRAILER MOUNTED



SCALE: 3"=1'-0" EXCEPT AS OTHERWISE NOTED.

LSU
AgCenter
Research & Extension

SQUEEZE CHUTE FOR CATTLE
VARIABLE WIDTH - TRAILER MOUNTED

W. VA. '71 6133 SHEET 3 OF 3

Disclaimer

This site makes available conceptual plans that can be helpful in developing building layouts and selecting equipment for various agricultural applications. These plans do not necessarily represent the most current technology or construction codes. They are not construction plans and do not replace the need for competent design assistance in developing safe, legal and well-functioning agricultural building system. The LSU Agriculture Center, the Mid-West Plan Service, the United States Department of Agriculture and none of the cooperating land-grant universities warranty these plans.